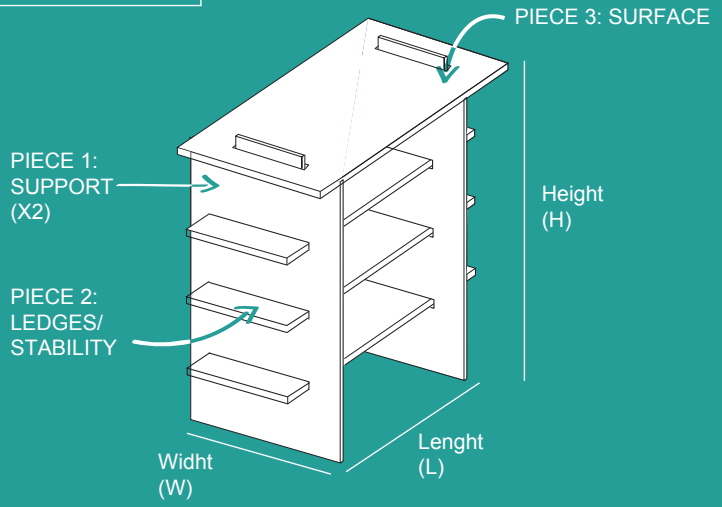


TEMPLATE 6: a shelf

This is a very useful piece of furniture. I have done two of this shelves, to keep my documents and materials on it.

The most important parts of the structure are the supporting pieces (standing vertical), for which I recommend to glue two or three layers to make them stable.

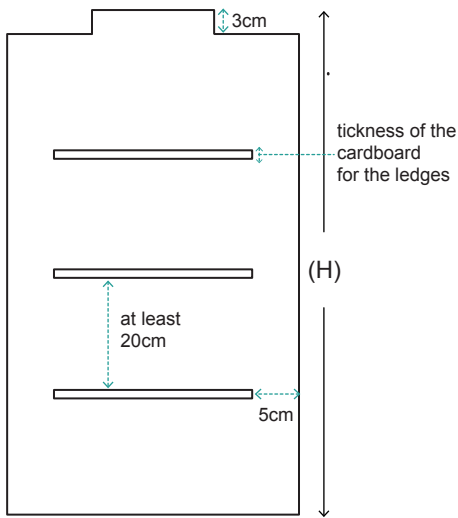
Apart from that, the amount of ledges in the shelf is up to you, as well as its dimensions.



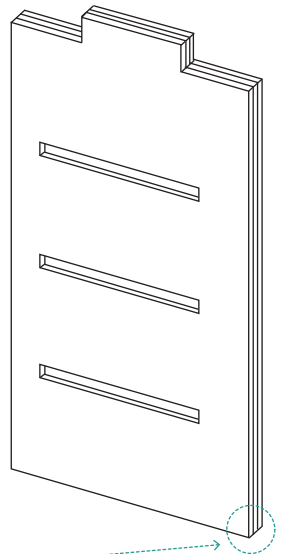
CUT THIS SHAPES:

1. Support (X2)

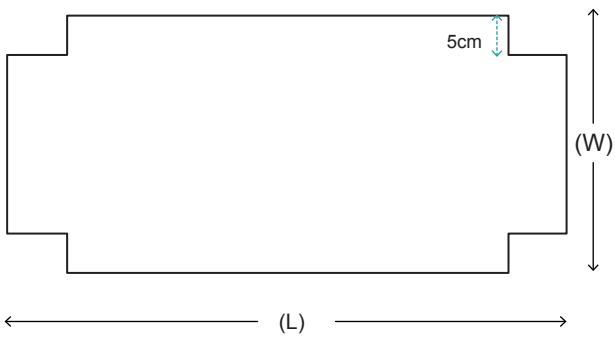
Choose the height that you want, cut a tab on top to insert into the surface piece and cut the holes to insert as many ledges as you want, taking into account the measurement of the thickness of your cardboard.



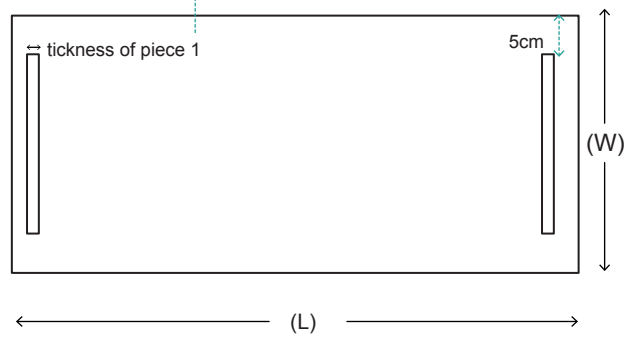
To make the shelf strong, it is necessary to glue layers to the support piece:



1. Stability (X3)

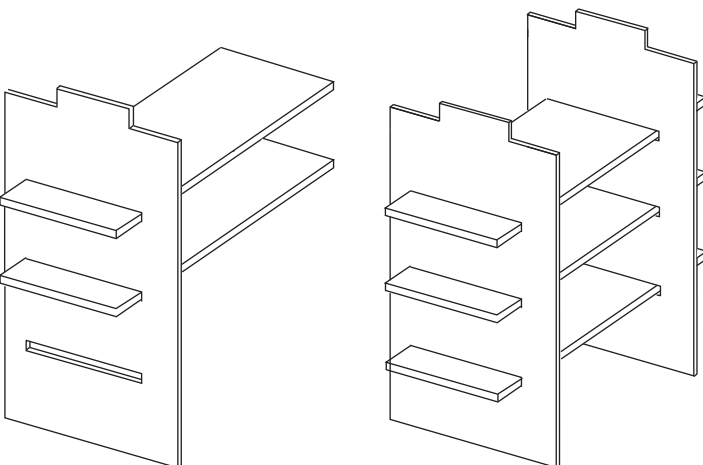


3. Surface



ASSEMBLE. You are done!

1. Ledges go into the support pieces



2. The surface fits the tabs.

