

## TEMPLATE 5: a shelf

This shelf consists on a basic structure composed by two pieces joint together:

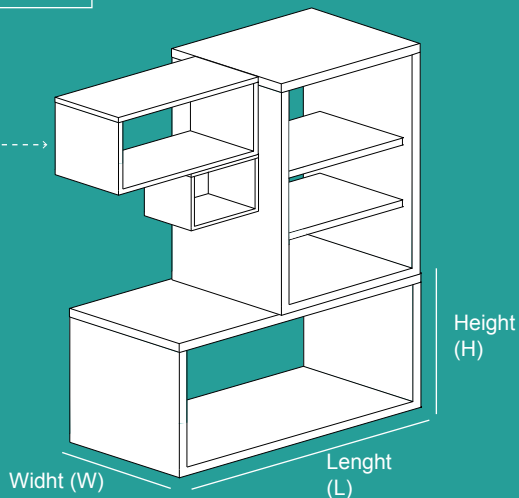


The two assembled pieces give to the module the strenght it needs to support the weight of books on the sides.

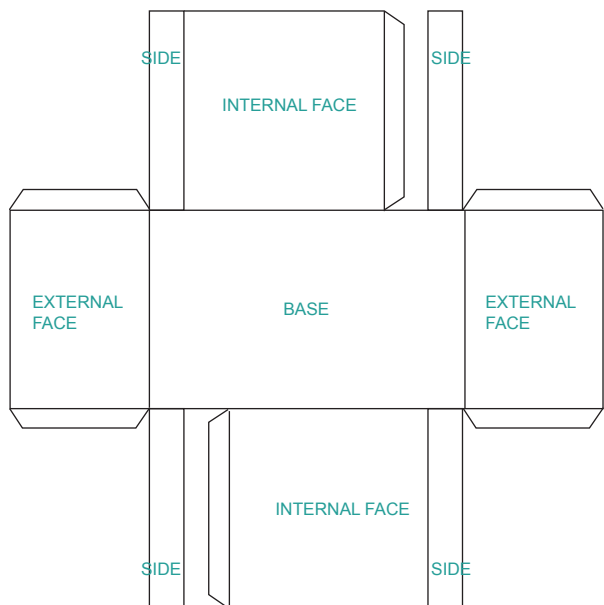


Here you find the template to build this module and you can play with sizes to create your own complete shelf.

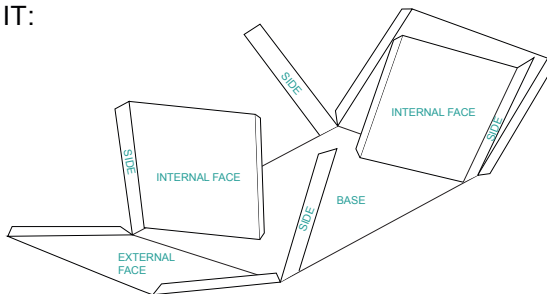
To assemble the pieces you do not need any glue, unless you want to create something like this. Otherwise you can just stack them.



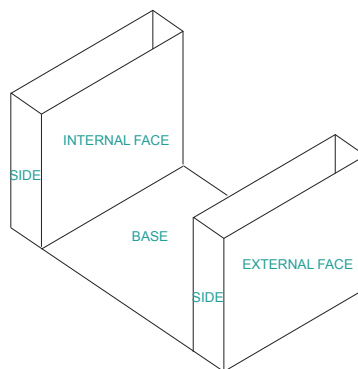
### CUT THIS SHAPE:



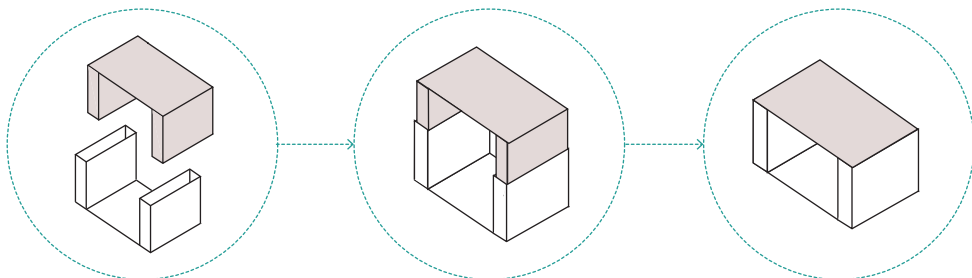
### FOLD IT:



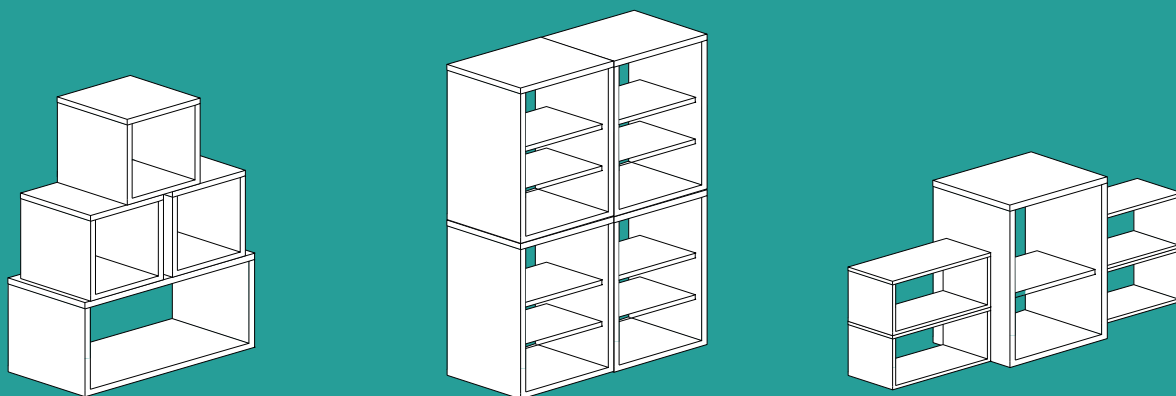
### GLUE IT:



Once this shape is ready, you have to build the same shape again, diminishing the size for about 5mm in all sides. This will allow the second piece to fit into the first one:



! Understanding how this basic structure works, you can start playing with different dimensions, to stack them in different ways:



If you want to create ledges inside the modules, add the respective holes in the "internal faces" of the template:

