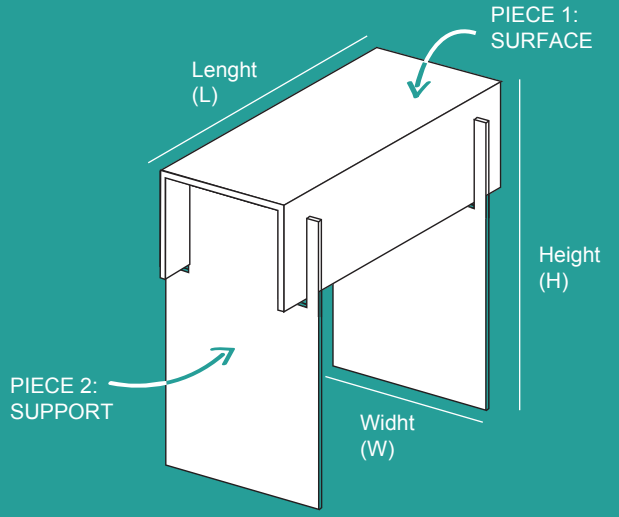


# TEMPLATE 2: a table

This table is build with three pieces only, all taken from one tall cardboard box.

In order for this table to be stable, each one of the support pieces (legs of the table) must have at least 4 layers of cardboard. Otherwise, the table will tild towards the sides.

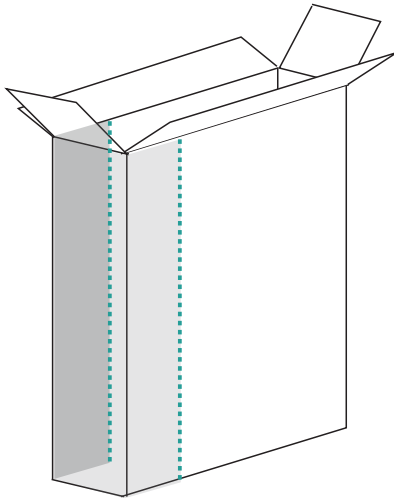
This structure can be used in spaces that require a long structure, instead of a very wide table.



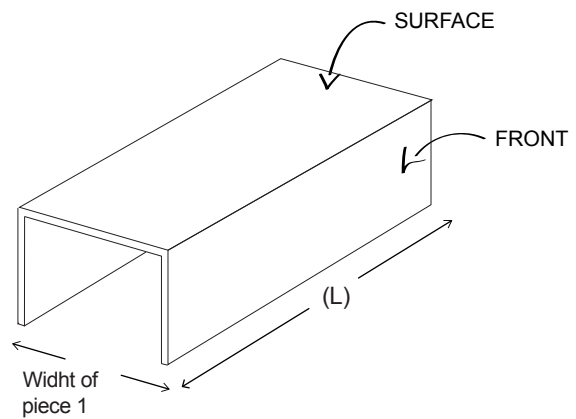
## CUT THIS SHAPES:

### 1. Surface

From a tall cardboard box, it is possible to cut the surface piece from one of the sides of the box and some additional material from the front and the back:

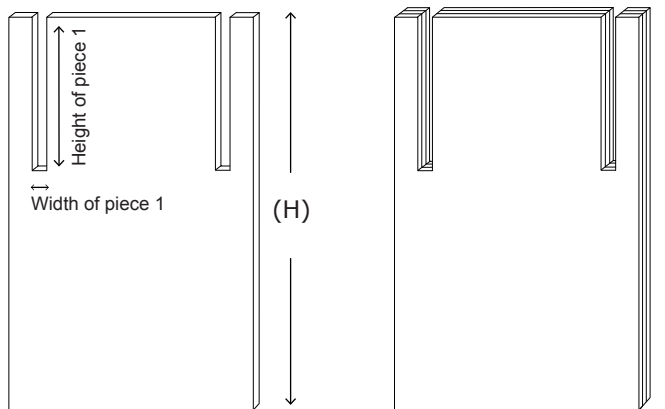
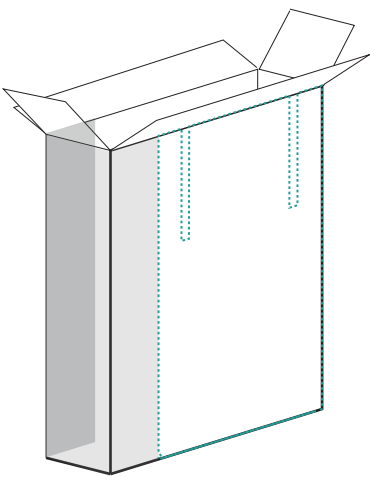


The piece should have this shape:



### 2. Support (X2)

With the left cardboard from the tall box, you can cut the two support pieces (legs) of this table:



You gain stability adding layers to this piece.

**ASSEMBLE. You are done!**



Given the shape of this table, the structure has an empty space below the surface. This space can be used to create a small drewler in the front of the table.

